



Darrell Robinette

Assistant Professor, Mech. Eng.-Eng. Mech.
dlrobine@mtu.edu



My background

Michigan Tech Mech. Eng. → BS '04 → PhD '07

GM Global Propulsion Systems → '07 to '16

➤ 9 years of industry practice of putting things & people in motion

Areas of research/expertise

Propulsion system engineering

- ✓ Automatic transmissions
- ✓ Holistic system integration

Dynamic systems

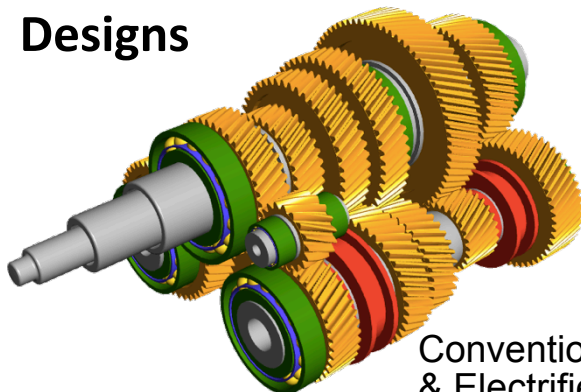
- ✓ Model based controls
- ✓ Rotating machinery dynamics



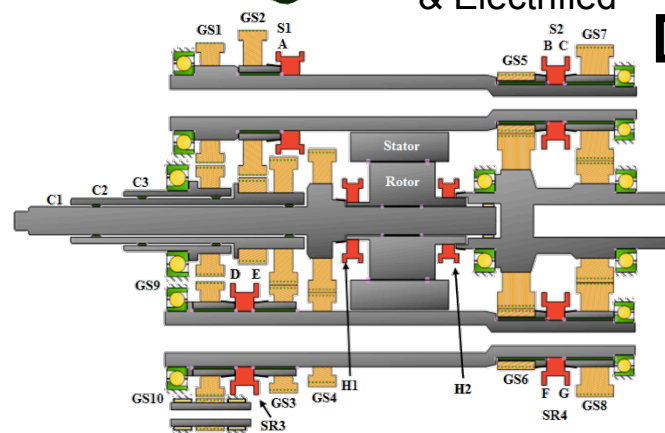
Darrell Robinette, drobine@mtu.edu

“Gearing for Future Connectivity”

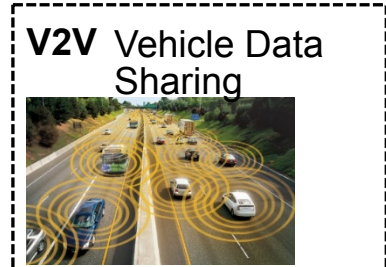
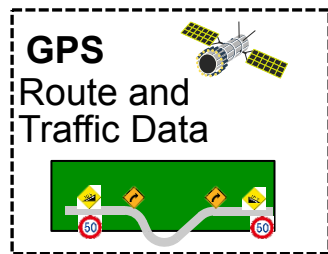
Optimize Power Transfer Designs



Conventional & Electrified



Connected Data & Infrastructure



Integrated Autonomous & Connected Vehicle Propulsion System Control

