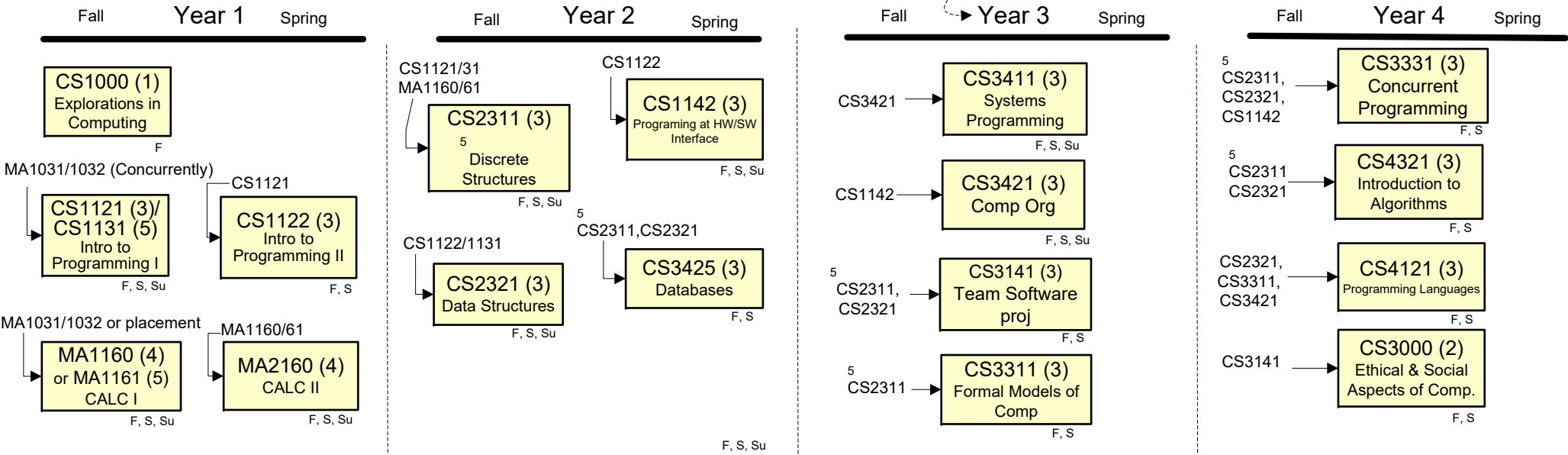
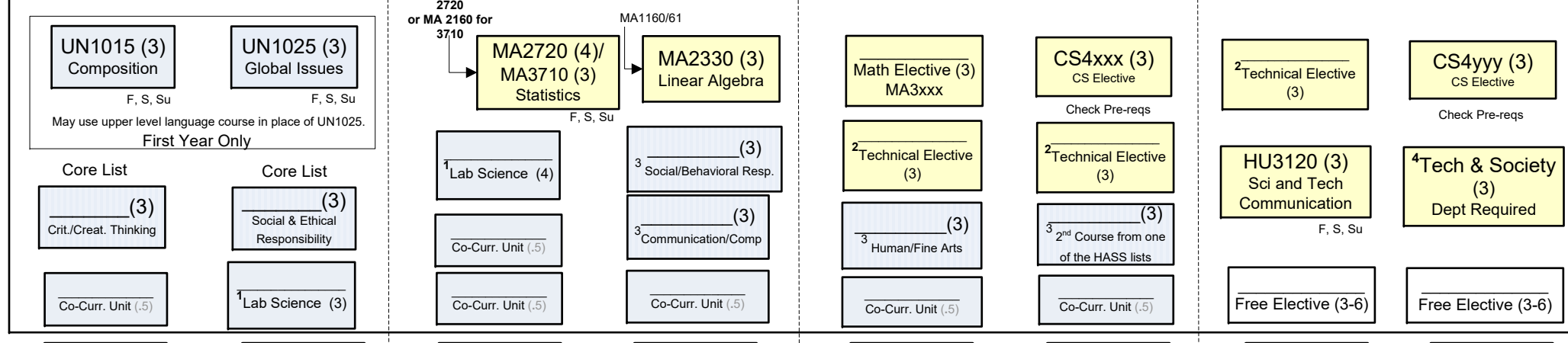


SAMPLE PLAN
 Calculus-ready students
 This Flowchart is meant as a guide only, any questions about scheduling should be brought up with your academic advisor.

A good time to co-op



Optional Ordering



1) Lab Science Courses: Need 7 total credits, two different disciplines (BL,CH,FW,GE,PH, etc), one course must include course & lab. Pick courses off the Science Course list from the Gen Ed STEM list.
 2) Technical Electives: List available on CS advising site
 3) HASS (Humanities & Fine Arts, Social & Behavioral Sciences) electives: 6 credits must be upper division 3000-4000 level - UN1015 and UN1025 are prerequisites for all upper division HASS courses.
 4) Tech & Society: Select one of the following: SS3510, SS3511, SS3520, SS 3530, SS3580, SS3630, SS3800, SS3801, SS3820, SS3581, HU3701, HU3710, HU3810, MA4945
 5) MA3210 Intro to Combinatorics can be used in place of CS2311 Discrete Structures and used for any CS course that has CS2311 as a pre-req.

Prerequisite Course → Yellow boxes are Major Specific courses Blue Boxes are General Education Courses

Total 123 plus 3 units co-curricular activities